

# SET-UP SHEET

<b>RACE</b>	
<b>TRACK</b>	

<b>NAME</b>		
<b>CITY / COUNTRY</b>		
<b>CONTACT</b>		

<b>DATE</b>		
<b>TEMPERATURE</b> / °F or °C	AIR	TRACK

<b>QUALIFYING POSITION</b>	<b>BEST LAPTIME</b> / sec	<b>FINAL POSITION</b>	<b>RACE LENGTH</b> / minutes

<b>TRACK CONDITION</b>	<input type="checkbox"/> CARPET	<input type="checkbox"/> ASPHALT
	<input type="checkbox"/> TECHNICAL	<input type="checkbox"/> MIXED
	<input type="checkbox"/> FAST	
<b>TRACTION</b>		
	<input type="checkbox"/> LOW	<input type="checkbox"/> MEDIUM
	<input type="checkbox"/> HIGH	

<b>CENTER SHOCK ABSORBER</b>		
<b>SPRING</b>	<b>OIL</b> / cSt	<b>REBOUND</b> %

<b>SIDE LINKAGES</b>	
<b>OIL</b> / cSt	

FRONT		REAR	
<b>TIRES</b>			
DIAMETER/mm			
ADDITIVE			
ADDITIVE timing			
<b>FRONT LEFT</b>	<b>FRONT RIGHT</b>	<b>REAR LEFT</b>	<b>REAR RIGHT</b>
ADDITIVE TREATED AREA			

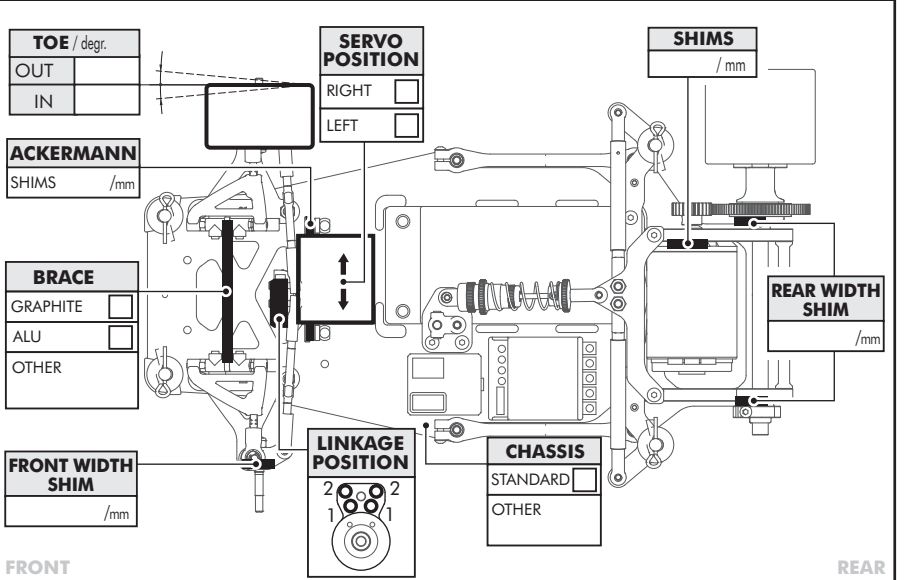
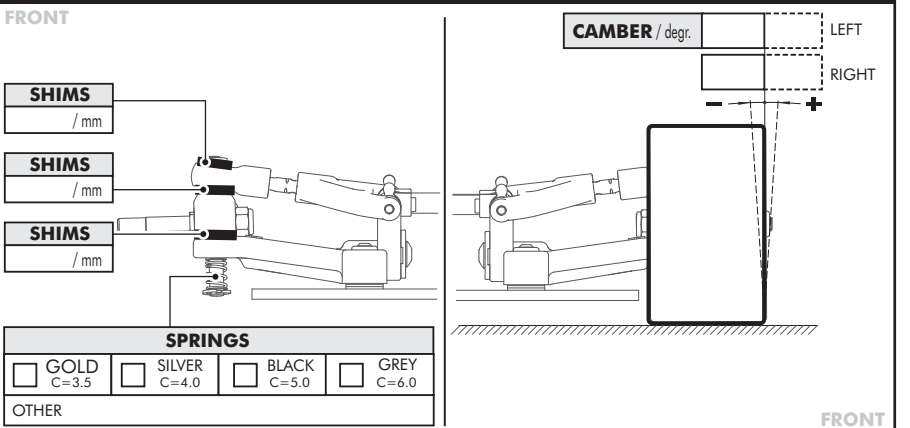
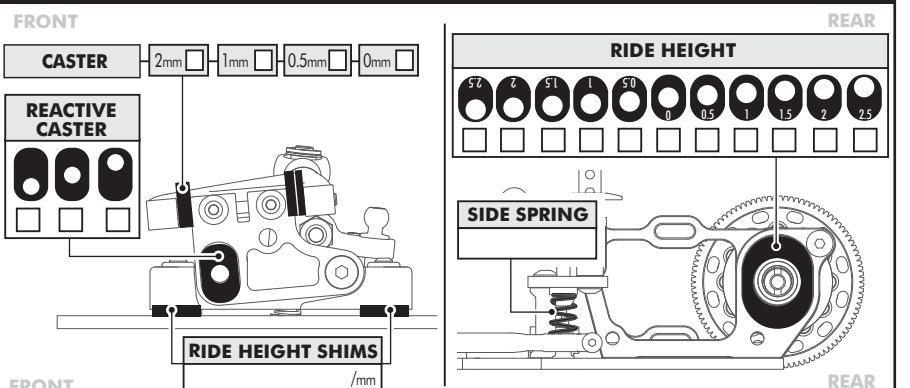
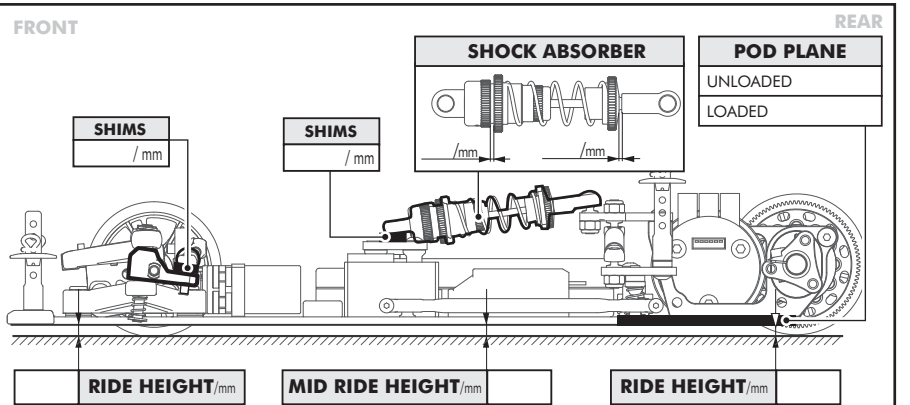
<b>TRANSMISSION</b>	
<b>DIFF SETTING</b>	
<input type="checkbox"/> LOOSE	<input type="checkbox"/> MEDIUM
<input type="checkbox"/> TIGHT	

<b>PINION</b> / T	<b>SPUR GEAR</b> / T
<b>FINAL DRIVE RATIO</b>	<b>ROLLOUT</b>

<b>MOTOR</b>	
<b>BRAND</b>	
<b>TURN</b>	
<b>ROTOR</b>	
<b>TIMING</b>	

<b>ESC</b>		
<b>ESC SETTING</b>	PROGRAM <input type="checkbox"/>	PUNCH <input type="checkbox"/>
	INITIAL BRAKE <input type="checkbox"/>	AUTO BRAKE <input type="checkbox"/>

<b>BATTERIES</b>	
<b>BODY</b>	



**COMMENTS**